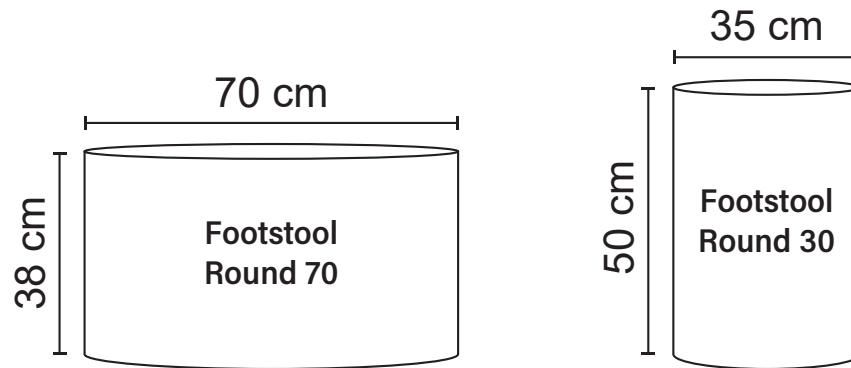


# FOOTSTOOL ROUND

Choose between two different sizes



\* All measurements are approximate